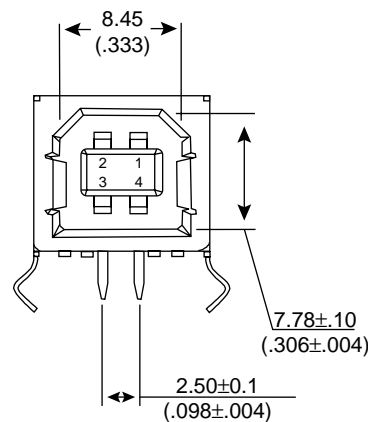
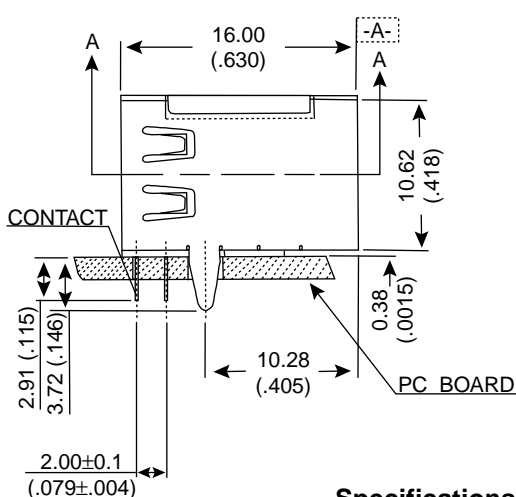
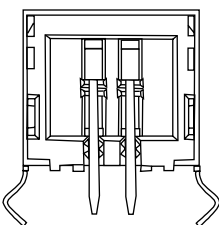
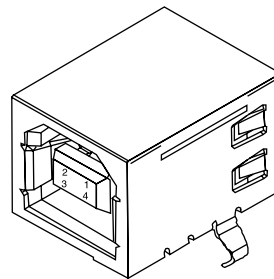
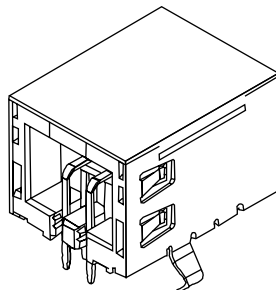


SECTION A-A



Dimensions mm (In.)

**Specifications:**

- Rating:
  - Voltage: 30 VAC (R.M.S.)
  - Current: 1.0 Ampere Maximum Per Contact
  - Temperature: -55°C to +85°C
- Electrical Characteristic:
  - Contact Resistance: 30 Milliohms Maximum Initial
  - Insulation Resistance: 1,000 M ohms Minimum
  - Dielectric Withstanding Voltage: 500 VAC
  - Capacitance: 2 Picofarads Maximum at 1KHZ
- Materials
  - Shell: Copper Alloy Tin Lead Plated
  - Housing: PBT, glass Filled, 130°C, UL 94V-O Rated
  - Contact: Copper Alloy Gold Plated 5u"
  - Insulator: White Color
- Recommended PC Board Thickness of 1.57mm
- Recommended Panel Thickness of 2.67mm Maximum

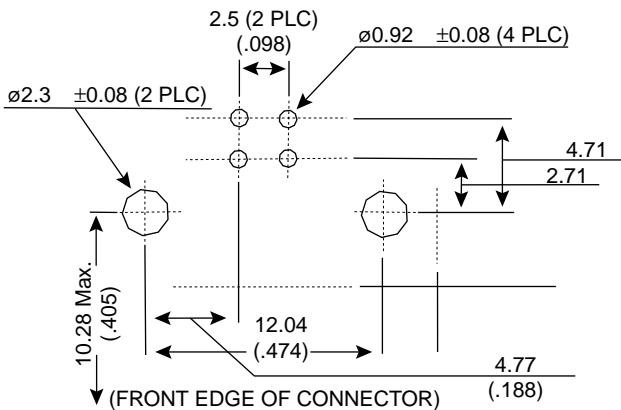


FIGURE A: PCB FOOTPRINT FOR RECEPTACLE (THROUGH-HOLE)

**General Tolerance:**

|      |       |
|------|-------|
| x.   | ±0.38 |
| .x   | ±0.25 |
| .xx  | ±0.13 |
| .xxx | ±0.05 |